



X-5 PRESSURE SENSITIVE LABEL HEAD



High-speed, precise web handling

Designed to increase performance and enhance flexibility, WLS' X-5 label head is a servomotor-driven system incorporating significant size reduction and design simplification over previous models.

A 3-axis mounting assembly with digital settings allows for precise peel plate adjustment and product changeover in minimal time. The renowned WLS "closed loop" push-pull system has been redesigned to allow for easy tool-less disassembly and ease of cleaning.

The X-5's non-proprietary electronics have been conveniently located underneath the label head to reduce wiring between the label head and the main electrical panel, and to allow easy reconfiguration and addition of label heads onto a labeler.

FEATURES AND BENEFITS

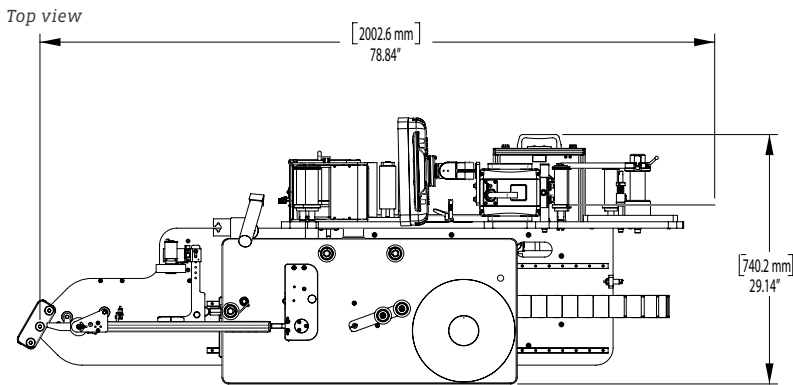
- Vertical, horizontal in/out and rotational adjustments with digital setting
- Push-Pull design:
 - "Closed loop" servomotor controlled
 - Isolated web tension (unaffected by unwind or rewind functions)
 - Simple label web threading
 - Tool-less disassembly for easy cleaning
- Synchronized servomotor-driven unwind and push-pull, and stepper motor-driven rewind
- Intermittent or continuous-motion label modes
- Continuous-motion code printing mode
- Soft start/stop via electronic camming
- Low roll, end of web and broken web detection

TYPICAL PRODUCT SPECIFICATIONS

Diameter Roll Size	18" (457 mm) unwind
Core Roll Size	3" (76 mm)
Label Width	0.75" (19 mm) to 4" (101 mm)

Label Length	Unlimited
Dispensing Speed	<i>Intermittent Mode:</i> Up to 2400 in/min (61 m/min) <i>Continuous Mode:</i> Up to 3750 in/min (95 m/min)
Dispensing Accuracy	+/- 0.0625" (+/- 1.6 mm)

CONFIGURATION



OPTIONS

The X-5 can be configured with a variety of options such as label coding and inspection including serialized codes, dual label unwinds and the Interceptor which automatically removes a rejected label prior to container application.

- Dual unwind with manual splice station
- Integration of most major code printing (including label serialization) and vision inspection brands
- Interceptor for defective label removal prior to application
- Remote Ethernet access (for long distance diagnostics)
- FAT/DDS/IQOQ documentation
- UL, seismic and CE field evaluation

WLS Sales and Service assures responsive and comprehensive technical assistance in solving your labeling application problems, servicing your WLS equipment, and providing a full line of compatible systems supplies.