



## LC-100 STAND ALONE HIGH SPEED CODING



### High-speed, accurate and economical coding of labels

LC-100 is capable of handling labels at speeds in excess of 3000 in/min and offers a fast and easy way to serialization compliance where one or more packaging lines need to be upgraded.

The LC-100 delivers total flexibility by offering multiple printing and vision options. Thermal transfer or laser printer can be integrated to print or scribe human-readable and/or 2D Data Matrix serialized codes onto the label. In addition various vision platforms can be used to re-acquire and verify each code for readability and accuracy.

With its own PC and separately validated controls, the LC-100 is used as a stand-alone unit and the coded labels can be run on existing labelers resulting in minimal down time or changes to the labeler operations.

#### FEATURES AND BENEFITS

- Compact footprint
- Balcony-style structure
- cGMP compliant construction
- Integrated electrical enclosure
- Servomotor-driven unwind, nip roller and rewind
- Low level, end of web and broken web detection
- Fixed position, user-friendly and password protected HMI



# LC-100 STAND-ALONE HIGH SPEED CODING

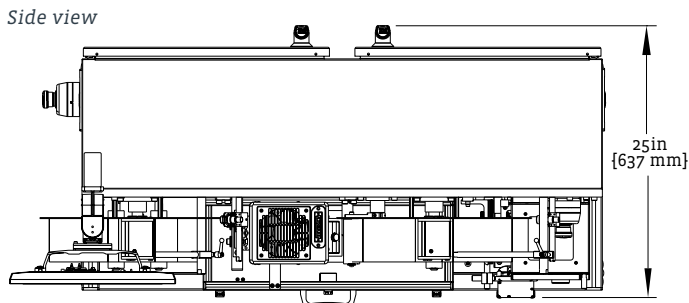
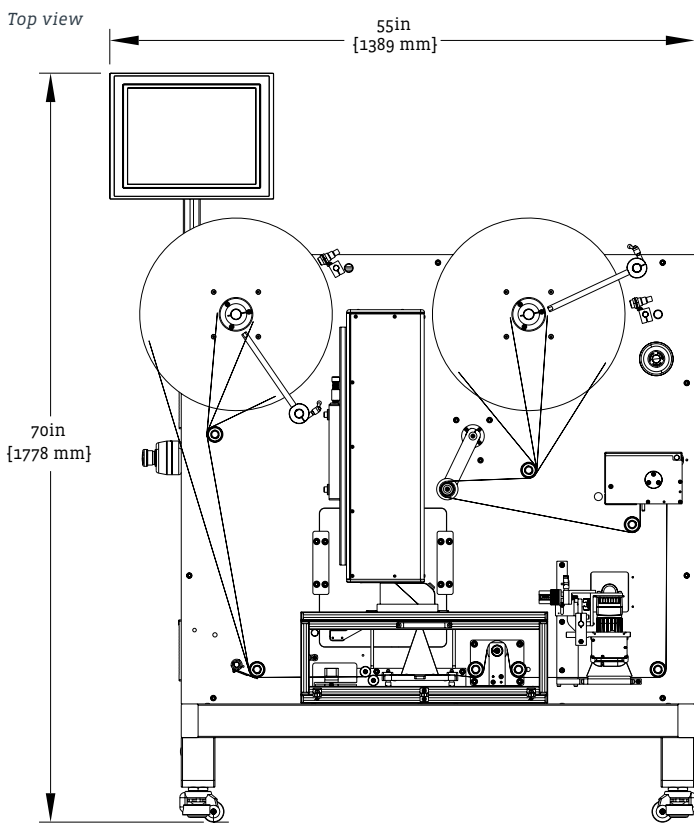
## TYPICAL PRODUCT SPECIFICATIONS

<b>Diameter Roll Size</b>	18" (457 mm)
<b>Core Roll Size</b>	3" (76 mm)
<b>Label Width</b>	0.75" (19 mm) to 4" (101 mm)
<b>Label Length</b>	Unlimited

<b>Coding Speed</b>	Label Speed - Up to 3000 in/min* (76 m/min)
<b>Code Dispensing Accuracy</b>	Code Placement: As close as +/- 0.020" (+/-0.5 mm)**
<b>Typical Footprint</b>	55" (1397 mm) wide by 23" (585 mm) deep

\*Dependent on label length, printing and vision requirements  
 \*\*Dependent on label specifications and printing requirements

## CONFIGURATION



SHOWN WITH OPTIONAL LASER PRINTER

## OPTIONS

- Integration of all major code printing (i.e. thermal transfer, laser) and vision inspection brands
- Code inspection, verification and/or grading
- Automatic removal of labels with a failed code
- Data collection
- Remote Ethernet access (for long distance diagnostics)
- 21 CFR Part 11 compliance
- DDS/FAT documentation
- UL, seismic and CE certifications

*WLS Sales and Service assures responsive and comprehensive technical assistance in solving your labeling application problems, servicing your WLS equipment, and providing a full line of compatible systems supplies.*

©2021 ProMach Inc. ProMach reserves the right to change or discontinue specifications and designs shown in this brochure without notice or recourse  
 PM-WLS-SP112\_LC100\_0121

PHONE  
1-866-200-3143

EMAIL  
WLS@ProMachBuilt.com

WEB  
WeilerLS.com

1256 North Church Street  
Moorestown, NJ 08057, USA