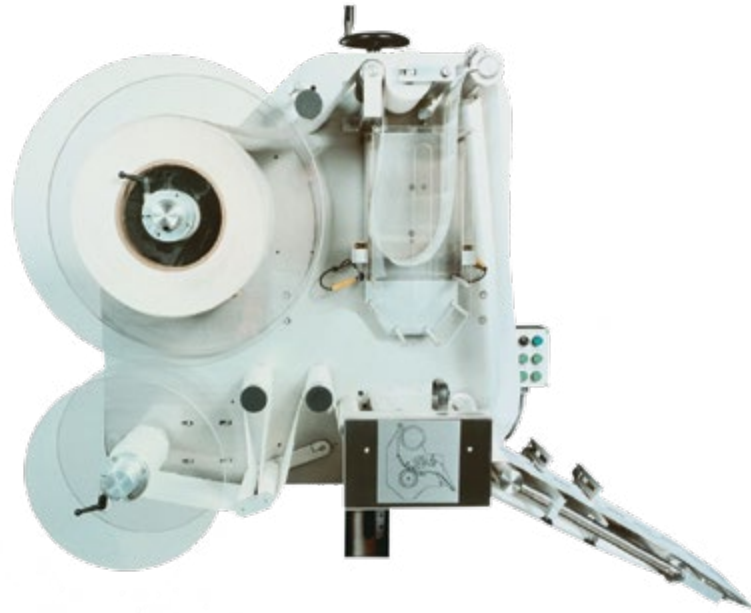




## LA-2000 LABEL APPLICATOR



### Reliable, precise web handling

The WLS LA-2000 label applicator has been designed to offer accurate and reliable pressure-sensitive labeling. The closed-loop servomotor-driven push/pull label drive virtually eliminates the need for operator adjustment. This results in superior and consistent production from shift to shift, year after year.

The LA-2000 incorporates three motors (unwind, push-pull and rewind) to enhance the accuracy and reliability of the applicator. The primary drive motor is the heart of the servo control mechanism. Twin drive rollers are directly driven by a fast response servomotor which indexes the label web for accurate label application onto a moving "target".

The motor is programmed to start slowly, accelerate to a speed, match the container speed at the instant of application and then come to a soft stop. The result of the programmed acceleration curve is a significant reduction of stress on the backing web. The other two motors unwind the label from the label roll and rewind the spent liner material allowing the main drive motor to operate free of torque variations as the input roll is consumed.

### FEATURES AND BENEFITS

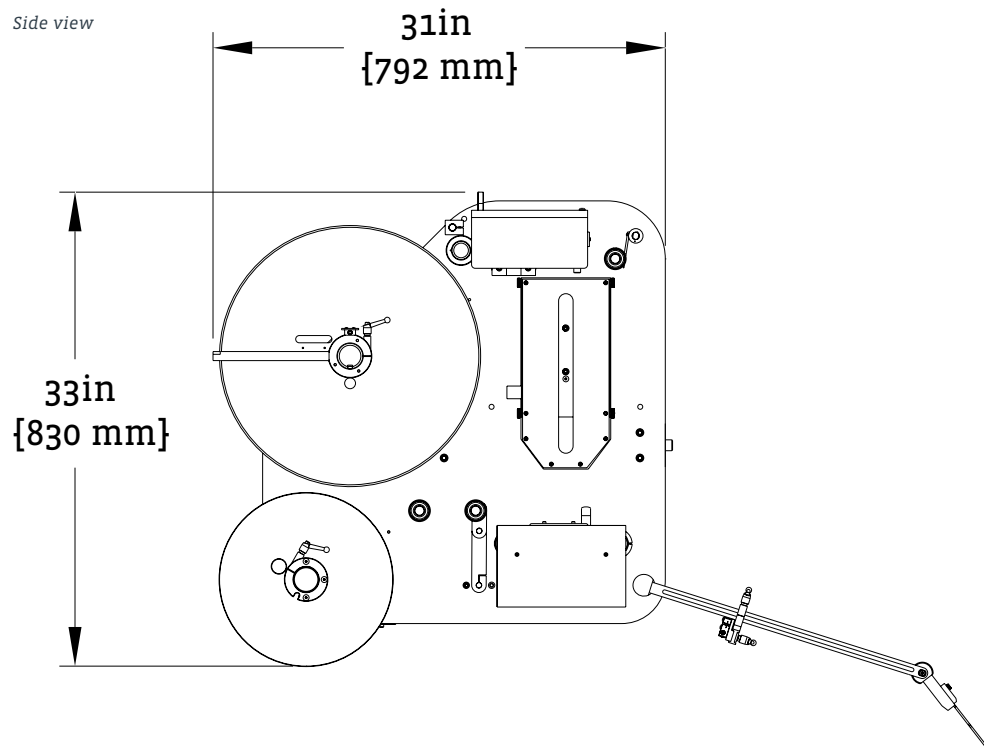
- Powered unwind
- "Closed loop" servomotor controlled push-pull design
- Isolated web tension (unaffected by unwind or rewind functions)
- "Free Loop" powered rewind
- Soft start/stop and ability to profile the label application via electronic camming
- Remote control and jog station

## TYPICAL PRODUCT SPECIFICATIONS

<b>Diameter Roll Size</b>	16" (406 mm) unwind
<b>Core Roll Size</b>	3" (76 mm)
<b>Label Width</b>	0.75" (19 mm) to 4" to 6" (101 mm or 152 mm)
<b>Label Length</b>	Unlimited

<b>Dispensing Speed</b>	<i>Intermittent Mode:</i> Up to 2400 in/min (61 m/min) <i>Continuous Mode:</i> Up to 3750 in/min (95 m/min)
<b>Dispensing Accuracy</b>	+/- 0.0625" (+/- 1.6 mm)

## CONFIGURATION



## OPTIONS

- Custom mountings
- Stand-alone dual unwind with manual splice mechanism
- Low roll, end of web and broken web detection
- Integration of all major code printing and vision inspection brands
- PLC integration
- FAT/DDS/IQOQ documentation
- UL, seismic and CE certification

*WLS Sales and Service assures responsive and comprehensive technical assistance in solving your labeling application problems, servicing your WLS equipment, and providing a full line of compatible systems supplies.*