



VR VERTICAL ROLLER IN-LINE LABELER



Ultra-high speed, precise labeling

Designed for the application of a film or paper pressure sensitive label onto round containers, the WLS VR in-line labeler combines a modular platform with a breakthrough vertical roller track design that references the container sidewall for consistent and precise label application. The VR fully synchronized electronic drive train also allows for ease of operation and fast changeovers via HMI-based recipe control.

This construction ensures years of troublefree operation at highest efficiency levels with minimal maintenance requirements. The VR comes with a zero access guarding package, meeting the most stringent safety standards.

FEATURES AND BENEFITS

- cGMP compliant construction
- Synchronized servomotor-driven feedscrew, trunnion, vacuum drum and conveyor drives
- Vacuum drum label dispenser (for continuous high-speed web handling)
- Reject station
- Tool-less quick changeover
- Boom mounted, user friendly and password protected HMI
- Positive track and reject



VR VERTICAL ROLLER IN-LINE LABELER

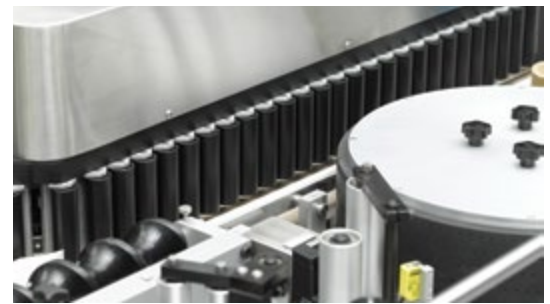
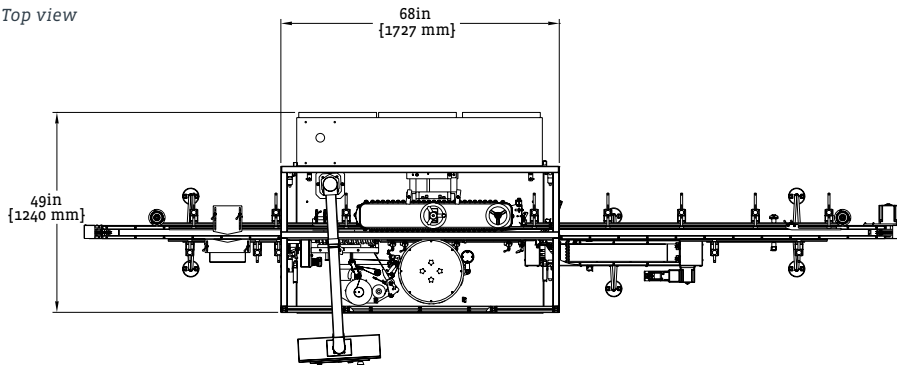
TYPICAL PRODUCT SPECIFICATIONS

Container Type	Round glass, metal or plastic
Container Diameter	0.5" (13 mm) to 5" (127 mm)
Container Height	Only limited by container stability

Speed	Up to 1000 cpm
Label Accuracy Range	Vertical Position: Dependent on label roll slitting accuracy Skew: Dependent on container sidewall vertical accuracy

PRODUCT OPERATION

Top view



RECONFIGURABLE ROLLERS

OPTIONS

The VR can be configured with a variety of options such as single or redundant label heads, removable rollers for quick container size and pitch changes, label coding and inspection including serialized codes, patented Reconciler feature, and 21CFR Part 11 and CE compliance. The WLS patented Reconciler removes, counts and rewinds rejected labels prior to their application onto a container.

- Container tooling including interchangeable trunnion rollers
- Removable roller track design for quick container size and pitch changes
- Reject conveyor lane or vacuum soft-reject starwheel
- X-3 or X-5 label head
- Integration of all major code printing (thermal ink jet, thermal ribbon and laser) and vision inspection brands
- Serialization capable (for label code)
- Patented Reconciler (for automatic rejected label removal & tracking)
- Glued topsert application
- OEE (Overall Equipment Effectiveness) and other custom HMI screens
- Integration of product handling accumulators before and after the labeler
- Data Collection
- Remote Ethernet access (for long distance diagnostics)
- 21 CFR Part 11 compliance
- FAT/DDS/IQOQ documentation
- UL, seismic or CE field evaluation

WLS Sales and Service assures responsive and comprehensive technical assistance in solving your labeling application problems, servicing your WLS equipment, and providing a full line of compatible systems supplies.

©2021 ProMach Inc. ProMach reserves the right to change or discontinue specifications and designs shown in this brochure without notice or recourse
PM-WLS-SP106_VRInlineLabeler_0321

PHONE
1-866-200-3143

EMAIL
WLS@ProMachBuilt.com

WEB
WeilerLS.com

1256 North Church Street
Moorestown, NJ 08057, USA