



## VCV-MD MULTI-DIAL VIAL CODING AND VERIFICATION PLATFORM



### Compact, high-speed, precise vial coding

The increased need for product identification and traceability, especially prior to labeling, has led the pharmaceutical industry to implement coding and code verification on some existing or new packaging lines.

Building on the company's expertise in continuous motion parts handling, printing and inspection, WLS has introduced its latest coding platform.

The VCV-MD Multi-Dial Vial Coding & Verification Platform is specifically designed for high-speed and accurate coding of unlabeled vials.

With its own PLC and separately validated controls the VCV-MD can be integrated within an existing packaging line, or run as a stand-alone unit. It is capable of handling vials at speeds in excess of 400ppm.

#### FEATURES AND BENEFITS

- cGMP compliant construction
- Zero-access Cat 3 or better guarding
- Servomotor-driven vacuum star wheels (for optimum vial control and reject management)
- Tool-less quick changeover
- User-friendly and password protected HMI
- Positive track and reject



# VCV-MD MULTI-DIAL VIAL CODING AND VERIFICATION PLATFORM

## TYPICAL PRODUCT SPECIFICATIONS

<b>Container Type</b>	Vials
<b>Products Diameter</b>	3/8" (9.5 mm) to 2.25" (57 mm)*

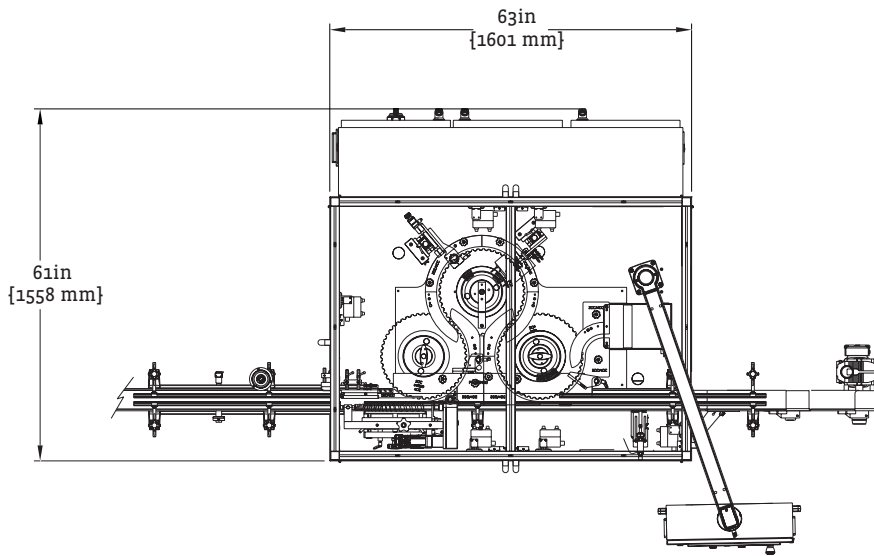
<b>Coding Speed</b>	In excess of 400ppm**
<b>Typical Footprint</b>	63" (1600 mm) wide by 59.5" (1506 mm) deep

\*Larger sizes upon request

\*\*Dependent on product size and printing requirements

## CONFIGURATION

Top view



## OPTIONS

- Color-marked container tooling
- In-feed and/or out-feed vial conveyance
- In-feed and/or out-feed rotary accumulators
- Vial tray loading and/or unloading
- Integration of all major code printing (continuous ink jet and laser) and vision inspection brands
- Serialization capable
- OEE (Overall Equipment Effectiveness) and other custom HMI screens
- Data collection
- Remote Ethernet access (for long distance diagnostics)
- 21 CFR Part 11 compliance
- FAT/DDS/IQOQ documentation
- UL, seismic and CE certification



MULTI-DIAL VIAL TRANSFER

Ink jet (with visible or UV inks) or laser are used to print or scribe alpha-numeric human-readable and/or 2D Data Matrix codes on the cap, aluminum overseal, or wall of vials. These codes can range from a single Lot/Exp code to a serialized code downloaded from the customer data system.

Digital vision systems are used to reacquire and verify each code for readability and accuracy. Improperly coded vials are automatically tracked and rejected.

*WLS Sales and Service assures responsive and comprehensive technical assistance in solving your labeling application problems, servicing your WLS equipment, and providing a full line of compatible systems supplies.*

©2021 ProMach Inc. ProMach reserves the right to change or discontinue specifications and designs shown in this brochure without notice or recourse  
PM-WLS-SP105\_VCV-MD\_0121