



## VCV VIAL CODING AND VERIFICATION PLATFORM



### Compact, high-speed, precise vial coding

The increased need for product identification and traceability, especially prior to labeling, has forced the pharmaceutical industry to implement coding and code verification on existing or new packaging lines.

Building on the company's expertise in continuous-motion parts handling, printing and inspection, WLS has introduced its newest coding platform. The VCV Vial Coding & Verification Platform is specifically designed for high-speed and accurate coding of unlabeled vials.

With its own PLC and separately validated controls the VCV can be integrated within an existing packaging line, or run as a stand-alone machine. It is capable of handling vials at speeds up to 300 ppm.

#### FEATURES AND BENEFITS

- Compact footprint
- cGMP compliant construction
- Zero-access Cat 3 or better guarding
- Servomotor-driven vacuum starwheel (for optimum vial control and reject management)
- Tool-less quick changeover
- Fixed position, user friendly and password protected HMI
- Positive track and reject



## TYPICAL PRODUCT SPECIFICATIONS

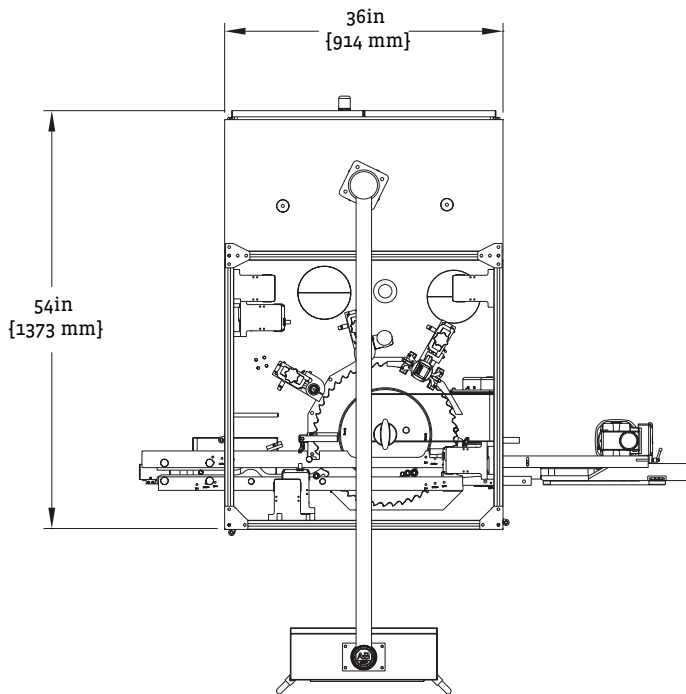
<b>Container Type</b>	Vials
<b>Products Diameter</b>	3/8" (9.5 mm) to 2.25" (57 mm)*

<b>Coding Speed</b>	Up to 300 cpm**
<b>Typical Footprint</b>	36" (915 mm) wide by 54" (1375 mm) deep

\*Larger sizes upon request    \*\*Dependent on product size and printing requirements

## CONFIGURATION

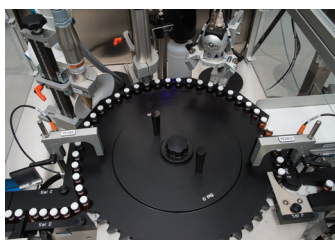
Top view



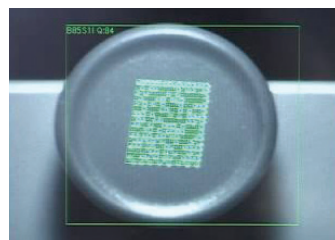
## OPTIONS

- Color-marked container tooling
- Vials conveyance
- In-feed and out-feed rotary accumulators
- Vials tray loading and/or unloading
- Additional vial locating features
- Integration of all major code printing (continuous ink jet and laser) and vision inspection brands
- Serialization capable
- OEE (Overall Equipment Effectiveness) and other HMI screens
- Data collection
- Remote Ethernet access (for long distance diagnostics)
- 21 CFR Part 11 compliance
- FAT/DDS/IQOQ documentation
- UL, seismic and CE certification

Ink jets (with visible or UV inks) or laser printers can be used to print or scribe alpha-numeric human-readable and/or 2D Data Matrix codes, on the cap, aluminum overseal or wall of vials. These codes can range from a single Lot/Exp code to a serialized code downloaded from the customer data system. Digital vision systems are used to re-acquire and verify each code for readability and accuracy. Improperly coded vials are automatically tracked and rejected.



SHOWN WITH PLASMA TREATMENT, INK JET CODING AND VISION INSPECTION OPTIONS



UV 2D CODE



2D CODE



HUMAN READABLE CODE

*WLS Sales and Service assures responsive and comprehensive technical assistance in solving your labeling application problems, servicing your WLS equipment, and providing a full line of compatible systems supplies.*

©2018 ProMach Inc. ProMach reserves the right to change or discontinue specifications and designs shown in this brochure without notice or recourse  
PM-WLS-SP104\_VCVSpecSheet