



SPS-200 SERIALIZATION PRINT STAND



Stand-alone high-speed coding

The H.R. 3204 Drug Quality and Security Act, as well as, legislation in other countries are necessitating the implementation of serialized label coding and code verification on existing labelers.

Building on the company's expertise in labeling and high-speed continuous-motion printing and inspection, WLS has introduced its SPS-200 serialization print stand designed for high-speed, efficient and accurate coding of labels.

With its own PLC and separately validated controls the SPS-200 can be integrated within any existing pressure-sensitive labeler with minimal down time and changes to the labeler validation. It is capable of handling web speeds up to 3000 in/min.

FEATURES AND BENEFITS

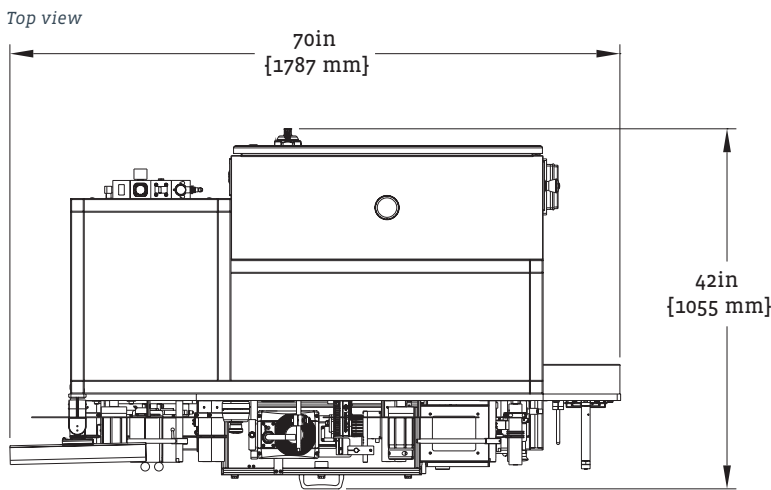
- Balcony-style structure
- cGMP compliant construction
- AC unwind with particle clutch tensioning system
- Pneumatic unwind core chuck
- Servomotor-driven nip roller with buffer box
- Low level, end of web and broken web detection
- Fixed position, user-friendly and password protected HMI

TYPICAL PRODUCT SPECIFICATIONS

Diameter Roll Size	18" (457 mm)	Label Length	Unlimited
Core Roll Size	3" (76 mm)	Web Speed	Up to 3000 in/min (76 m/min)*
Label Width	0.75" (19 mm) to 4" (101 mm)		

* Dependent on label length, printing and vision requirements

CONFIGURATION



SHOWN WITH LASER PRINTER AND CODE PRESENCE VERIFICATION CAMERA OPTIONS

OPTIONS

The SPS-200 can be configured with a variety of options such as ink jet or laser used to print or scribe alpha-numeric human-readable and/or 2D Data Matrix serialized codes on the label, digital vision systems used to re-acquire and verify each code for readability and accuracy, dual label unwinds with splice table, and label rewinding after coding.

- Integration of all major code printing (thermal ink jet, thermal ribbon and laser) and vision inspection brands
- Code inspection, verification and/or grading
- Dual unwind with splicing table (including extended buffer box and splice assist programming)
- Waste/reel-to-reel rewind with pneumatic core chuck and dancer arm
- Data collection
- Remote Ethernet access (for long distance diagnostics)
- 21 CFR Part 11 compliance
- FAT/DDS/IQOQ documentation
- UL, seismic and CE certification

WLS Sales and Service assures responsive and comprehensive technical assistance in solving your labeling application problems, servicing your WLS equipment, and providing a full line of compatible systems supplies.

©2018 ProMach Inc. ProMach reserves the right to change or discontinue specifications and designs shown in this brochure without notice or recourse
PM-WLS-SP102_SPS200SpecSheet