



RL-760 ROTARY LABELER



High-speed, precise, flexible labeling

Designed for the application of a film or paper pressure sensitive label at higher speeds or onto larger containers, the WLS RL-760 rotary labeler combines a larger robust modular platform with air-actuated top hold, and motor driven product rotation. This design ensures years of trouble-free operation at highest efficiency levels with minimal maintenance requirements. The RL-760 comes with an enhanced zero-access guarding package, meeting the most stringent safety standards.

The RL-760 can be configured with a variety of options such as single or redundant label heads, label coding and inspection including serialized codes, precise container orientation, sidesert or topsert placement, integrated feeding systems such as a cup placer, and 21 CFR Part 11 and CE compliance.

FEATURES AND BENEFITS

- Motor-driven product platforms
- cGMP compliant construction
- Synchronized servomotor-driven feedscrew, machine and conveyor drives
- Multi-shape container capability
- Tool-less quick changeover
- Boom mounted, user-friendly and password protected HMI
- Positive track and reject

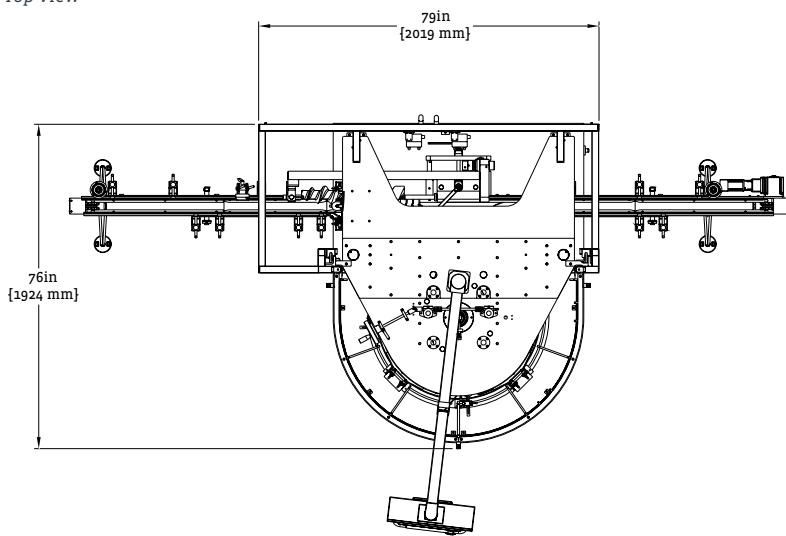
TYPICAL PRODUCT SPECIFICATIONS

Turret Diameter	30" (762mm)			
Platform	12	16	20	24
Driven Platform Option	x	x	x	x
Max. Speed (Cpm)* *Dependent on label size	480	640	800	960
Max. Container Size (Major Axis/Width or Diameter)	6" (152 mm)	4" (101 mm)	3" (76 mm)	2.5" (63 mm)
Max. Container Size (Minor Axis/Depth or Diameter)	5.5" (140 mm)			

Max Container Height	13.5" (342 mm)
Label Head	X-3 or X-5
Container Type	Glass, metal or plastic - Round, oval, rectangular or compound angles
Label Accuracy Range Vertical Position	<i>Vertical Position:</i> Dependent on label roll slitting accuracy <i>Skew:</i> Dependent on sidewall vertical accuracy <i>Placement:</i> Dependent on application

CONFIGURATION

Top view



OPTIONS

- Color-marked container tooling
- Recessed product platforms (for compound angle containers)
- Motorized container height adjustment
- Container orienting prior to labeling
- Vacuum soft-reject star wheel
- Integration of all major code printing (thermal ink jet, thermal ribbon and laser) and vision inspection brands
- Serialization capable (for label code or association of container "alias" code)
- Glued sidesert or topsert application
- OOOE (Overall Equipment Effectiveness) and other custom HMI screens
- Data collection
- Remote Ethernet access (for long distance diagnostics)
- 21 CFR Part 11 compliance
- FAT/DDS/IQOQ documentation
- UL, seismic and CE certification

WLS Sales and Service assures responsive and comprehensive technical assistance in solving your labeling application problems, servicing your WLS equipment, and providing a full line of compatible systems supplies.